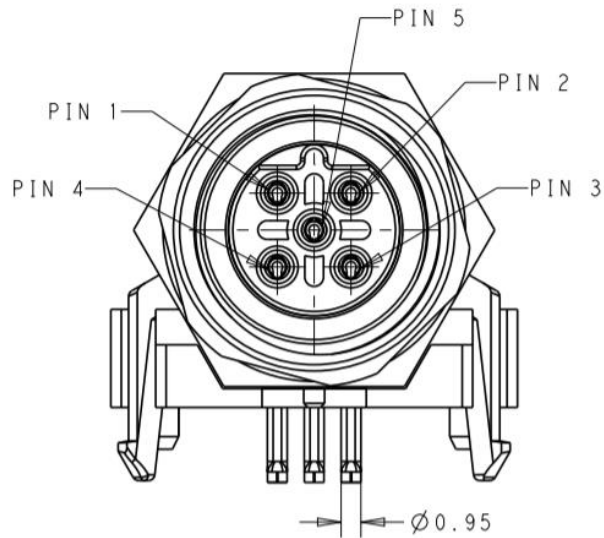


- Main connector

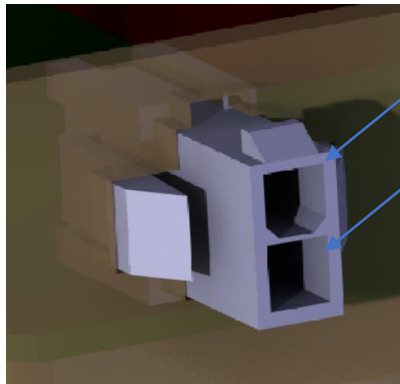


Item	Descript
Maker	TE Connectivity AMP
Maker Part No.	T4145415051-001
Distributor	Digikey or Mouser
Link	https://www.digikey.kr/product-detail/ko/te-connectivity-amp-connectors/T4145415051-001/A126532-ND/7649182

No.	Descript
PIN1	LV power (<60V)
PIN2	GND
PIN3	*N/C
PIN4	*N/C
PIN5	*N/C

*N/C : Not connect

- HV connector



PIN1

PIN2

Item	Descript
Maker	Molex
Maker Part No.	0039012026
Distributor	Digikey or Mouser
Link	https://www.digikey.kr/products/ko?keywords=039012026

No.	Descript
PIN1	HV+
PIN2	*N/C

*N/C : Not connect